

3.3V Low Skew 1-to-4 Crystal/LVCMOS to LVPECL Fanout Buffer

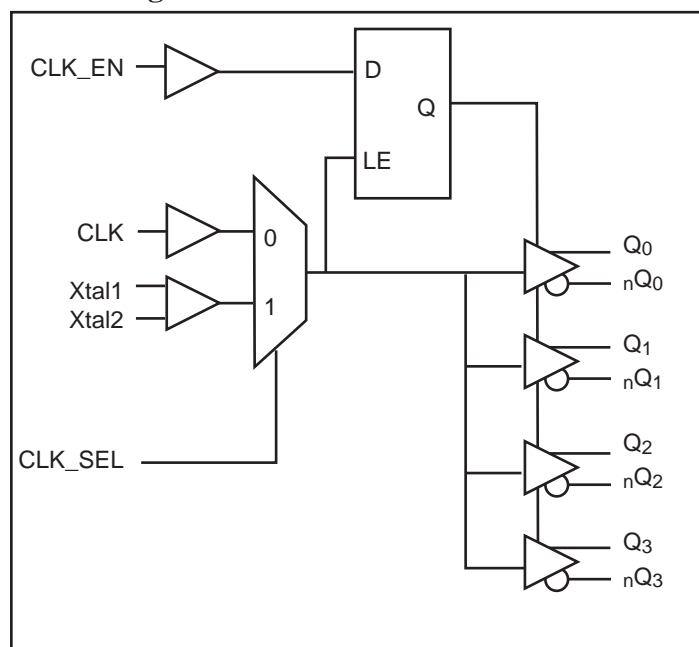
Features

- Maximum operation frequency: 500MHz
- 4 pair of differential LVPECL outputs
- Selectable CLK and crystal inputs
- CLK accepts LVCMOS, LVTTTL input level
- Output Skew: 30ps (maximum)
- Part-to-part skew: 150ps (maximum)
- Propagation delay: 1.5ns (maximum)
- 3.3V power supply
- Pin-to-pin compatible to ICS8535-11
- Operating Temperature: -40°C to 85°C
- Packaging (Pb-free & Green available):
- 20-pin TSSOP (L)

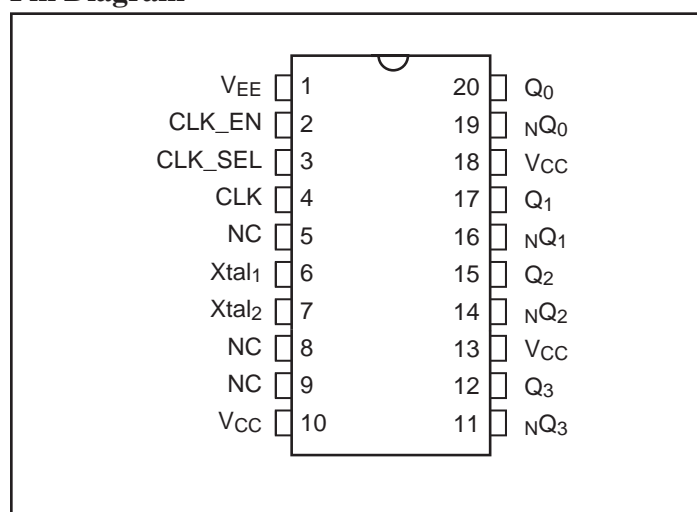
Description

The PI6C48535-11 is a high-performance low-skew LVPECL fanout buffer. PI6C48535-11 features selectable of single-ended clock or crystal inputs and translates to four LVPECL outputs. The CLK input accepts LVCMOS or LVTTTL signals. The outputs are synchronized with input clock during asynchronous assertion /deassertion of CLK_EN pin. PI6C48535-11 is ideal for crystal or LVCMOS/LVTTTL to LVPECL translation. Typical clock translation and distribution applications are data-communications and telecommunications.

Block Diagram



Pin Diagram



Pin Description

| Name | Pin # | Type | Description |
|----------------------------------|------------|------|--|
| V _{EE} | 1 | P | Connect to Negative power supply |
| CLK_EN | 2 | I_PU | Synchronizing clock enable. When high, clock outputs follow clock input. When low, Q _x outputs are forced low, nQ _x outputs are forced high. LVCMOS/LVTTL level with 50KΩ pull up. |
| CLK_SEL | 3 | I_PD | Clock select input. When high, selects Xtal (Xtal1, Xtal2) inputs. When low, selects CLK input. LVCMOS/LVTTL level with 50KΩ pull down. |
| CLK | 4 | I_PD | LVCMOS / LVTTL clock input |
| Xtal1, Xtal2 | 6, 7 | | Crystal input and output |
| NC | 5, 8, 9 | | No internal connection. |
| V _{CC} | 10, 13, 18 | P | Connect to 3.3V |
| Q ₃ , nQ ₃ | 11, 12 | O | Differential output pair, LVPECL interface level. |
| Q ₂ , nQ ₂ | 14, 15 | O | Differential output pair, LVPECL interface level. |
| Q ₁ , nQ ₁ | 16, 17 | O | Differential output pair, LVPECL interface level. |
| Q ₀ , nQ ₀ | 19, 20 | O | Differential output pair, LVPECL interface level. |

Notes:

1. I = Input, O = Output, P = Power supply connection, I_PD = Input with pull down, I_PU = Input with pull up

Pin Characteristics

| Symbol | Parameter | Conditions | Min. | Typ. | Max. | Units |
|-----------------------|---------------------------|------------|------|------|------|-------|
| C _{IN} | Input Capacitance | | | | 4 | pF |
| R _{pullup} | Input Pullup Resistance | | | 50 | | KΩ |
| R _{pulldown} | Input Pulldown Resistance | | | 50 | | KΩ |

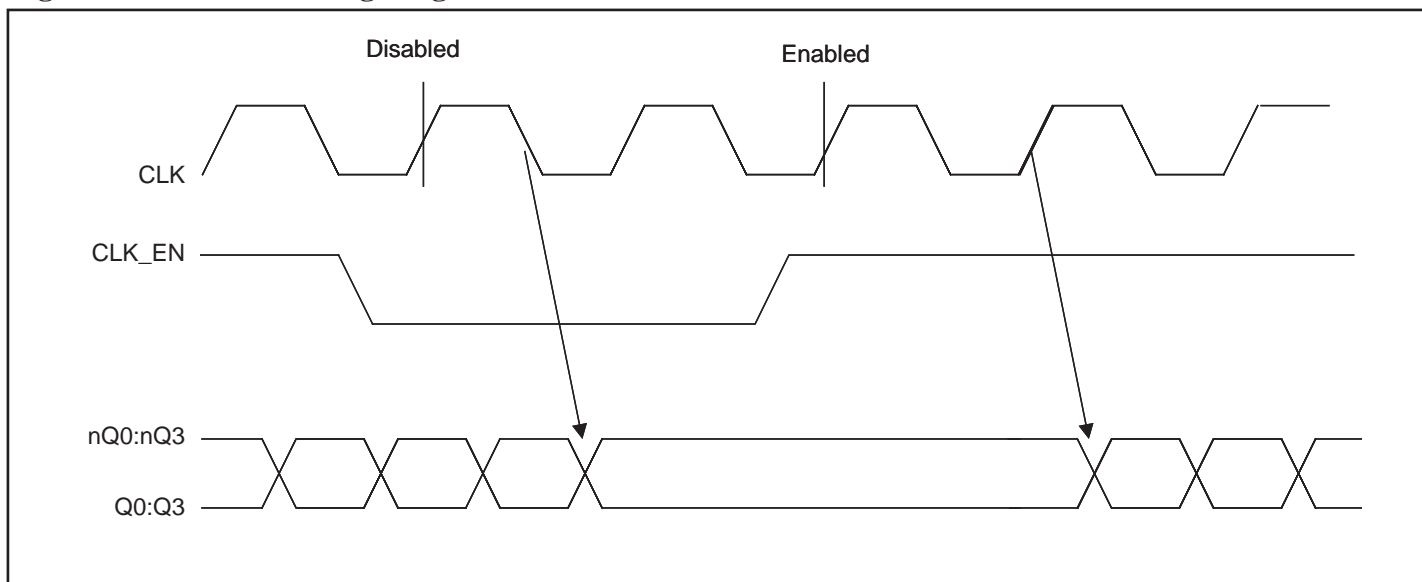
Control Input Function Table

| Inputs | | | Outputs | |
|--------|---------|-----------------|--------------------------------|----------------------------------|
| CLK_EN | CLK_SEL | Selected Source | Q ₀ :Q ₃ | nQ ₀ :nQ ₃ |
| 0 | 0 | CLK | Diabld: Low | Diabld: High |
| 0 | 1 | Xtal1, Xtal2 | Diabld: Low | Diabld: High |
| 1 | 0 | CLK | Enabled | Enabled |
| 1 | 1 | Xtal1, Xtal2 | Enabled | Enabled |

Notes:

1. After CLK_EN switches, the clock outputs are disabled or enabled following a rising and falling input clock edge as show below.

Figure 1. CLK_EN Timing Diagram



Clock Input Function Table

| Inputs | Outputs | |
|--------|---------|---------|
| CLK | Q0:Q3 | nQ0:nQ3 |
| 0 | LOW | HIGH |
| 1 | HIGH | LOW |

Absolute Maximum Ratings

| Symbol | Parameter | Conditions | Min. | Typ. | Max. | Units |
|------------------|---------------------|-------------------|------|------|-----------------------|-------|
| V _{CC} | Supply voltage | Referenced to GND | | | 4.6 | V |
| V _{IN} | Input voltage | Referenced to GND | -0.5 | | V _{CC} +0.5V | |
| V _{OUT} | Output voltage | Referenced to GND | -0.5 | | V _{CC} +0.5V | |
| T _{STG} | Storage temperature | | -65 | | 150 | °C |

Notes:

1. Stresses above those listed under Absolute Maximum Ratings may cause permanent damage to the device. These ratings are stress specifications only and correct functional operation of the device at these or any other conditions above those listed in the operational sections of the specifications is not implied. Exposure to absolute maximum rating conditions for extended periods may affect product reliability.

Operating Conditions

| Symbol | Parameter | Conditions | Min. | Typ. | Max. | Units |
|-----------------|----------------------|------------|------|------|------|-------|
| V _{CC} | Power Supply Voltage | | 3.0 | 3.3 | 3.6 | V |
| T _A | Ambient Temperature | | -40 | | 85 | °C |
| I _{EE} | Power Supply Current | | | | 60 | mA |

LVCMOS/LVTTL DC Characteristics ($T_A = -40^{\circ}\text{C}$ to 85°C , $V_{CC} = 3.0\text{V}$ to 3.6V unless otherwise stated below.)

| Symbol | Parameter | | Conditions | Min | Typ | Max | Units |
|----------|--------------------|--------------|--|------|-----|--------------|---------------|
| V_{IH} | Input High Voltage | | | 2 | | $V_{CC}+0.3$ | V |
| V_{IL} | Input Low Voltage | | | -0.3 | | 0.8 | |
| I_{IH} | Input High Current | CLK, CLK_SEL | $V_{IN} = V_{CC} = 3.6\text{V}$ | | | 150 | μA |
| | | CLK_EN | $V_{IN} = V_{CC} = 3.6\text{V}$ | | | 5 | |
| I_{IL} | Input Low Current | CLK, CLK_SEL | $V_{IN} = 0\text{V}, V_{CC} = 3.6\text{V}$ | -5 | | | |
| | | CLK_EN | $V_{IN} = 0\text{V}, V_{CC} = 3.6\text{V}$ | -150 | | | |

LVPECL DC Characteristics ($T_A = -40^{\circ}\text{C}$ to 85°C , $V_{CC} = 3.0\text{V}$ to 3.6V unless otherwise stated below.)

| Symbol | Parameter | Conditions | Min. | Typ. | Max. | Units |
|-------------|------------------------------------|------------|--------------|------|--------------|-------|
| V_{OH} | Output High Voltage ⁽¹⁾ | | $V_{CC}-1.4$ | | $V_{CC}-0.9$ | V |
| V_{OL} | Output Low Voltage ⁽¹⁾ | | $V_{CC}-2.0$ | | $V_{CC}-1.7$ | |
| V_{SWING} | Peak-to-peak Output Voltage Swing | | 0.6 | | 1.0 | |

Notes:

1. Outputs terminated with 50Ω to $V_{CC}-2.0\text{V}$

Crystal Characteristics

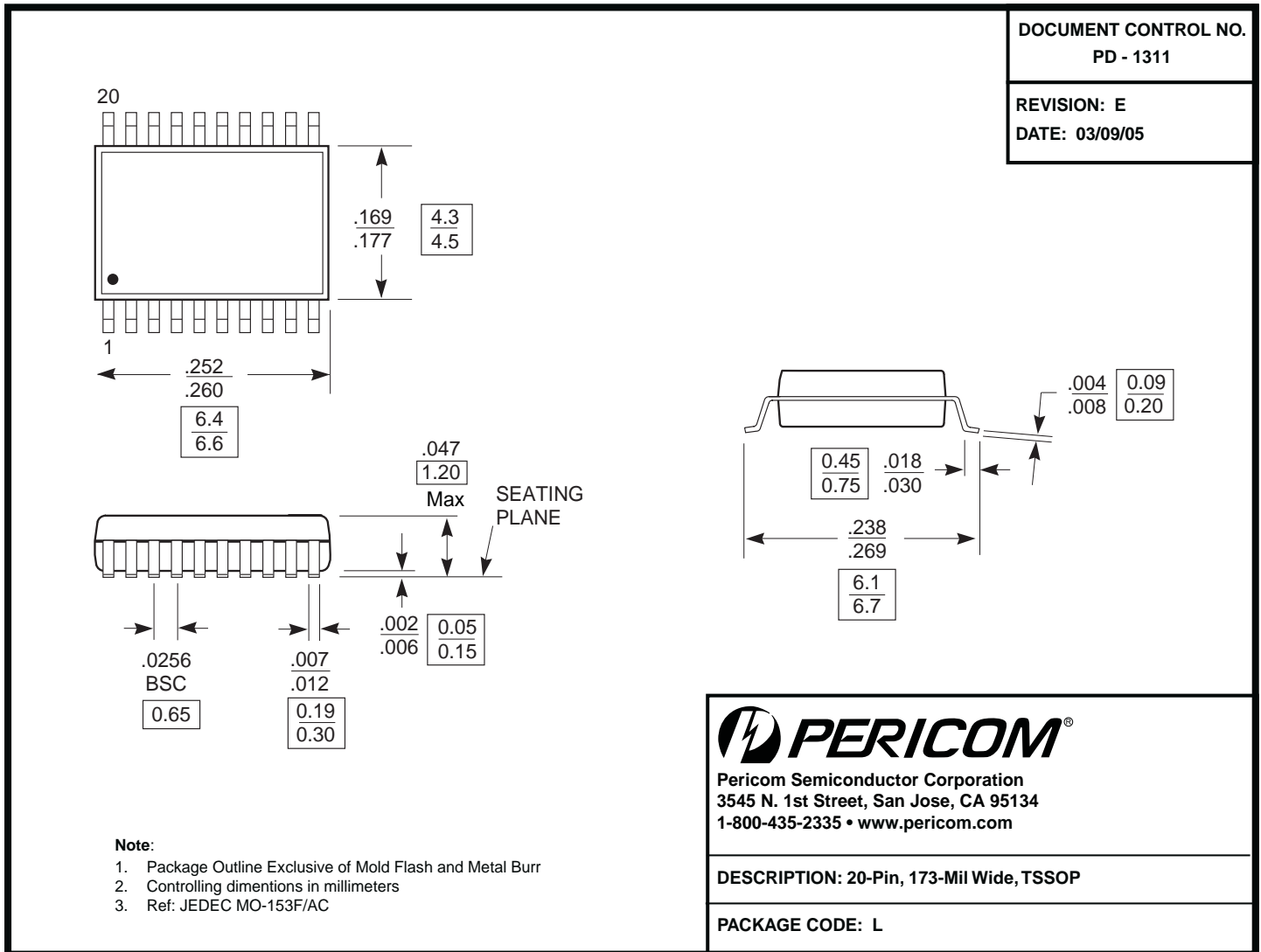
| Parameter | Min. | Typ. | Max. | Units |
|------------------------------------|-------------|------|------|----------|
| Mode of Oscillation | Fundamental | | | |
| Frequency Range | 12 | | 40 | MHz |
| Equivalent Series Resistance (ESR) | | | 70 | Ω |
| Shunt Capacitance | | | 7 | pF |

AC Characteristics ($T_A = -40^{\circ}\text{C}$ to 85°C , $V_{CC} = 3.0\text{V}$ to 3.6V)

| Symbol | Parameter | Conditions | Min. | Typ. | Max. | Units |
|--------------|--------------------------------------|------------|------|------|------|-------|
| f_{max} | Output Frequency | | | | 500 | MHz |
| t_{pd} | Propagation Delay ⁽¹⁾ | | 1.0 | | 1.5 | ns |
| $T_{sk(o)}$ | Output-to-output Skew ⁽²⁾ | | | | 30 | ps |
| $T_{sk(pp)}$ | Part-to-part Skew ⁽³⁾ | | | | 150 | |
| t_r/t_f | Output Rise/Fall time | 20% - 80% | 100 | | 400 | |
| odc | Output duty cycle | | 48 | | 52 | % |
| Osc | Crystal Tolerance | | | | 1000 | ppm |

Notes:

1. Measured from the $V_{CC}/2$ of the input to the differential output crossing point
2. Defined as skew between outputs at the same supply voltage and with equal load condition. Measured at the outputs differential crossing point.
3. Defined as skew between outputs on different parts operating at the same supply voltage and with equal load condition. Measured at the outputs differential crossing point.
4. All parameters are measured at 500MHz unless noted otherwise

Packaging Mechanical: 20-Pin TSSOP (L)

Ordering Information

| Ordering Code | Package Code | Package Description |
|----------------|--------------|---|
| PI6C48535-11LE | L | Pb-free & Green 20-pin 173-mil wide TSSOP |

Notes:

- Thermal characteristics can be found on the company web site at www.pericom.com/packaging/